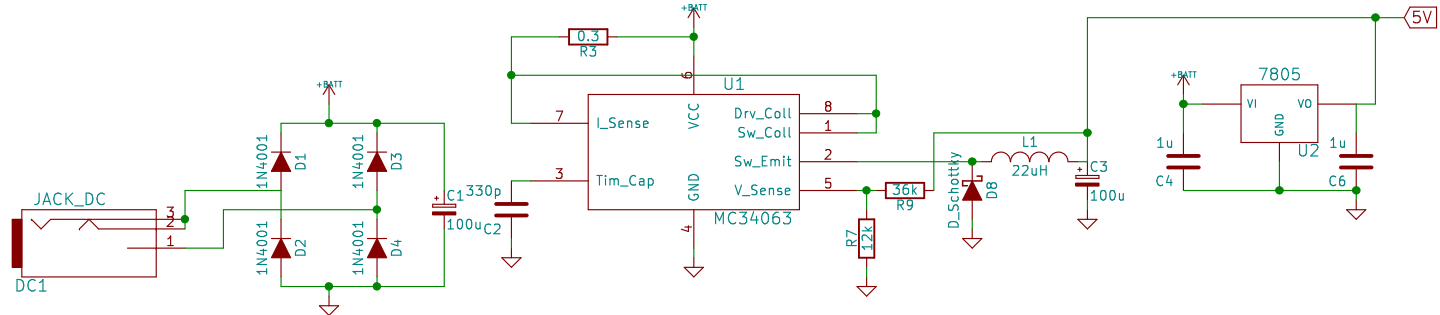


POWER



OnkartGromt		
Sheet: /		
File: Submarine (1).sch		
Title: TeensyPlatform		
Size: A3	Date: 2015-10-17	Rev: 1.0
KiCad E.D.A. kicad 4.0.0-rc1-stable		Id: 1/1